

9A!%) ('8 =AA9F '#87 'DCK 9F '7 CBHFC @@@ F



FEATURES:

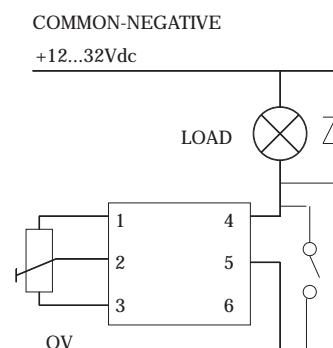
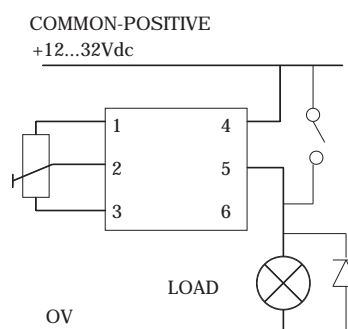
- Load regulated adjustment
- Adjustable base level
- Suitable for common-negative or common-positive system
- EMC tested (no radio frequency interference)
- High efficiency >90%
- Rail mountable

EM-154 is a low voltage DC power control unit. The unit is connected in series with the load. Load can be resistive or inductive, for example incandescent lamps, resistors, solenoids. The power is adjusted with Pulse Width Modulation (PWM) which gives good efficiency (low thermal losses). The unit can be connected to (+) or to (-) side of the load. The lamp test switch is also possible to connect over the unit if needed. Unit includes also base level adjustment, which sets the start level of control. Two or more units can be connected parallel for higher power solution. The output is protected against load short circuit and line voltage spikes.

TECHNICAL DATA

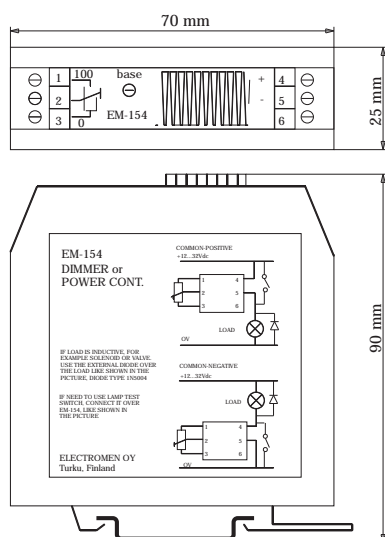
Supply	12...32 Vdc
Idle current	typ. 2 mA
Load capacity	max. 3 A
Adjustment range	0...98%
Base level adjustment	0...30%
Operating frequency	typ. 250 Hz
Recommended load	2...80 W
Recom. potentiometer	1k...50k
Efficiency	>90%
Oper. ambient temp.	0...50°C
Weight	70 g
EMC -tested	EN-50082, EN-50081

WIRING EXAMPLES



IF LOAD IS INDUCTIVE, FOR EXAMPLE SOLENOID OR VALVE USE THE EXTERNAL DIODE OVER THE LOAD AS SHOWN IN THE PICTURE, DIODE TYPE 1N5004

IF LAMP TEST SWITCH IS REQUIRED, CONNECT IT OVER EM-154, AS SHOWN IN THE PICTURE



HOUSING PHOENIX UEGM-25 79x90x25 RAIL MOUNTING

